

STANDARD PRESSURE GAUGES DN 80, 100 & 160

Usable with liquid or gaseous fluids that do not attack chemically the alloys of copper, do not present a high stickiness and do not crystallize. Their preferable application is in pneumatic and hydraulic circuits, compressors, filters and pressure regulators. They fulfill norm CE.

Constructive and functional characteristics:

Accuracy: Type 1,6 according to EN 837-1.

Ranges: -1..0 a 0..600 bar or any other equivalent unit of pressure or vacuum, standard ranges according to DIN 16 128.

Ambient temperature: -20...+60°C.

Process fluid temperature: Max. +60° C.

Temperature error:

Additional error when the temperature of the pressure element deviates from 20°C. +/-0,3 % every 10 °C of change.

Working pressure: Max 75% of E.S.

Temporary overpressure: Not applicable.

Process connection record: ½" BSP In brass.

Elastic element: Phosphoric bronze. In "C" for ≤40 bar scales. In spiral for >40 bar scales.

Case and bezel: Black finish steel.

Window: Glass.

Movement: In brass.

Pointer: Painted black aluminium.

Optional extras:

Tin-silver welding.

Others accuracy ranges.

Others pressure connections.

Surface or panel mounting rings.

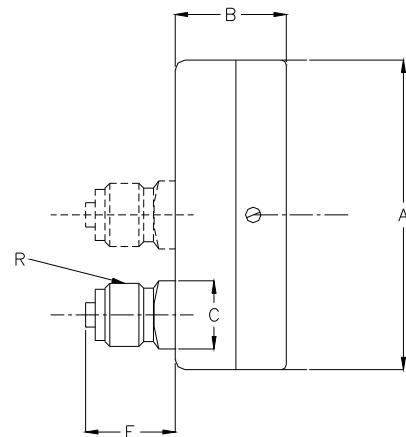
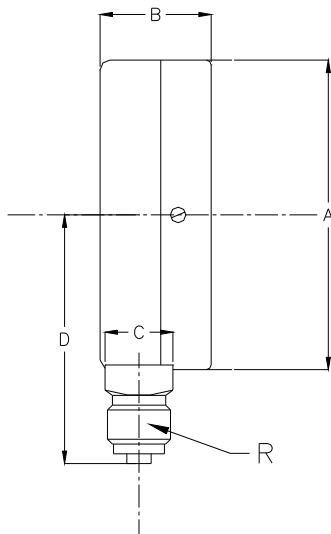


This publication does not try to establish the bases of a contract and the company keeps the right to modify without previous notice the design and the specifications of the instruments, in accordance with his politics of continued development.

MEI Manometría e Instrumentación, s.l.

Pol. Ind. "El Pla" C/ Comerç, 2-22 nave 13 E-08980 Sant Feliu de Llobregat Barcelona Spain
Tf. +34 934 403 939 Fax. +34 934 483 986 www.mei.es e-mail: info@mei.es

DIMENSIONS



LOWER CONNECTION TYPE					
DN	A	B	C	D	R
80	80	35	22	27,5	1 / 2
100	100	35	22	48	1 / 2
160	160	45	22	51	1 / 2

DIMENSIONS
(mm)

BACK CONNECTION TYPE					
DN	A	B	C	E	R
80	80	35	22	35	1 / 2
100	100	35	22	35	1 / 2
160	160	45	22	35	1 / 2

This publication does not try to establish the bases of a contract and the company keeps the right to modify without previous notice the design and the specifications of the instruments, in accordance with his politics of continued development.

MEI Manometría e Instrumentación, s.l.

Pol. Ind. "El Pla" C/ Comerç, 2-22 nave 13 E-08980 Sant Feliu de Llobregat Barcelona Spain
Tf. +34 934 403 939 Fax. +34 934 483 986 www.mei.es e-mail: info@mei.es