

DIAPHRAGM-TYPE CHEMICAL SEALS PAPER INDUSTRY DESIGN DN 48

Suitable for corrosive, contaminated, hot or viscous pressure media. Body with extended diaphragm to fit DN48 paper industry connection.

Constructive and functional characteristics:

Suitable pressure ranges: 0 ... 0,6 to 0 ... 40 bar.

Process connection: Loose retainer flange, 6 boltholes 7 mm diameter 70 mm PDC.

Pressure rating: PN 25 or PN 40.

Retainer flange: Galvanized carbon steel (Option AISI 316).

Diaphragm extension: Ø48 x 6,5 mm (other length optional).

Instrument connection: 1/2" BSPH .

Optional:

- L-bow 90°.
- L-bow 90° swivelling to enable gauge orientation.
- L-bow 90° with integral vibration damper.

Materials:

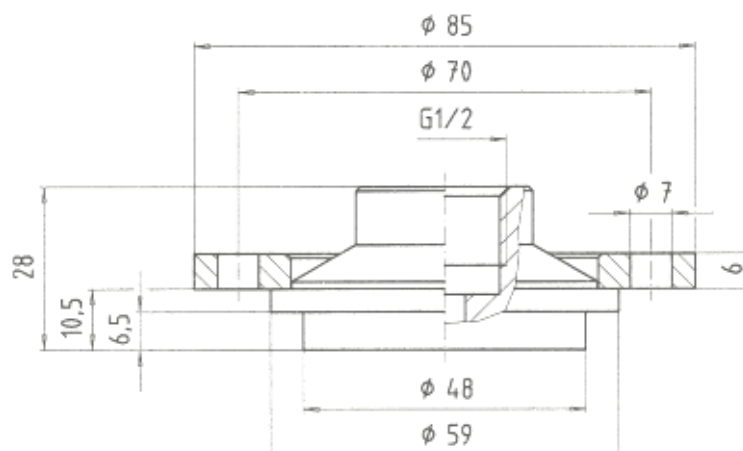
Body with extended diaphragm: AISI 316

L.

Diaphragm: AISI 316 L.



DIMENSIONS IN mm



This publication does not try to establish the bases of a contract and the company keeps the right to modify without previous notice the design and the specifications of the instruments, in accordance with his politics of continued development.

MEI Manometría e Instrumentación, s.l.

Pol. Ind. "El Pla" C/ Comerç, 2-22 nave 13 E-08980 Sant Feliu de Llobregat Barcelona Spain
Tf. +34 934 403 939 Fax. +34 934 483 986 www.mei.es e-mail: info@mei.es