

DIFFERENTIAL PRESSURE GAUGES PN 200 WITH DOUBLE DIAPHRAGM DN 100-150

Page 1

DIFFERENTIAL PRESSURE GAUGES PN 200 WITH DOUBLE DIAPHRAGM DN 100-150

These instruments are used to check differential pressures of gaseous liquids which do not have high viscosity and do not crystallize. In presence of high temperature, high viscosity and corrosive process fluid or which can crystallize these instruments can be fitted with remote mounting diaphragm seals.



Ranges: from 0...40 IN H₂O to 0...300 PSI (from 0...0.1 bar to 0...25 bar, or other equivalent unit)

Accuracy class: 1,6 as per EN 837.

Scale amplitude: 180°...270° depending on the scale range.

Static pressure: 300...3.000 PSI (25...200 bar), depending on the scale range.

Ambient temperature: -13...+149°F (-25...+65°C)

Process fluid temperature: +302° F (+150°C)

Thermal drift: ±0.8% every ±50°F (±10°C) of ambient temperature.

Protection degree: IP 66 as per IEC 529.

Socket material: AISI 316L st.st.

Elastic element: AISI 316L st.st. double diaphragm for pressure ranges < 400 mbar; AISI 316L st. st. / Duratherm for double diaphragm for pressure ranges ≥ 400 mbar.

Gasket: VITON and PTFE.

Case: stainless steel.

Ring: stainless steel, polished, bayonet lock.

Window: tempered glass.

Movement: stainless steel.

Dial: aluminium, white with black markings.

Pointer: adjustable, aluminium, black.

RANGE: Psi (bar)	Static pressure, one side: Psi (bar)	Static pressure, both side: Psi (bar)	Scale amplitude DS4" (100mm)	Scale amplitude DS 6" (150 mm)
0...40 IN H ₂ O (0...0,1)	360 (25)	1500 (100)	180°	180°
0...60 IN H ₂ O (0...0.16)	360 (25)	1500 (100)	180°	180°
0...100 IN H ₂ O (0...0.25)	1500 (100)	3000 (200)	270°	180°
0...160 IN H ₂ O (0...0.4)	3000(200)	3000 (200)	270°	180°
0...250 IN H ₂ O (0...0.6)	3000 (200)	3000 (200)	270°	270°
0...15 PSI (0...1)	3000 (200)	3000 (200)	270°	270°
0...1.6	3000 (200)	3000 (200)	270°	270°
0...30 PSI (0...2.5)	3000 (200)	3000 (200)	270°	270°
0...60 PSI (0...4)	3000 (200)	3000 (200)	270°	270°
0...100 PSI (0...6)	3000 (200)	3000 (200)	270°	270°
0...160 PSI (0...10)	3000 (200)	3000 (200)	270°	270°
0...250 PSI (0...16)	3000 (200)	3000 (200)	270°	270°
0...300 PSI (0...25)	3000 (200)	3000 (200)	270°	270°

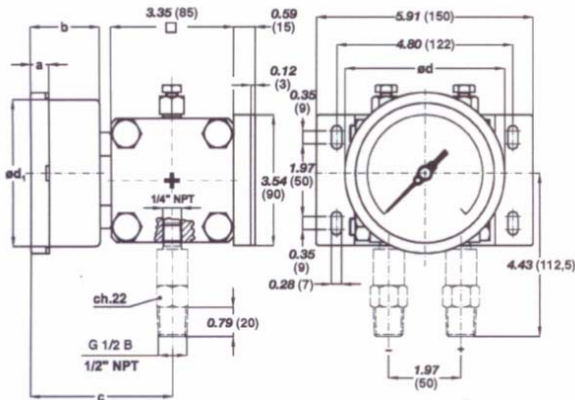
This publication does not try to establish the bases of a contract and the company keeps the right to modify without previous notice the design and the specifications of the instruments, in accordance with his politics of continued development.

MEI Manometría e Instrumentación, s.l.

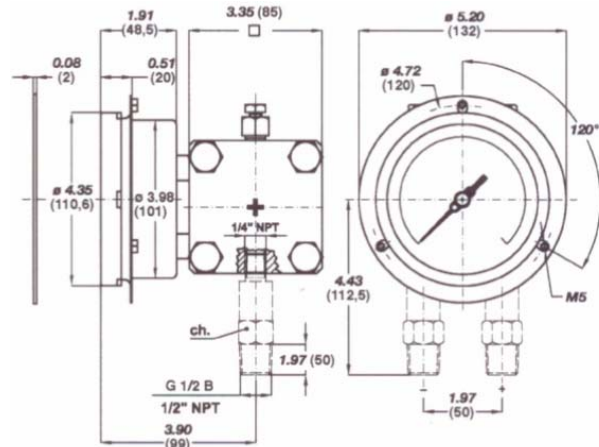
Pol. Ind. "El Pla" C/ Comerç, 2-22 nave 13 E-08980 Sant Feliu de Llobregat Barcelona Spain
Tf. +34 934 403 939 Fax. +34 934 483 986 www.mei.es e-mail: info@mei.es

DIFFERENTIAL PRESSURE GAUGES PN 200 WITH DOUBLE DIAPHRAGM DN 100-150

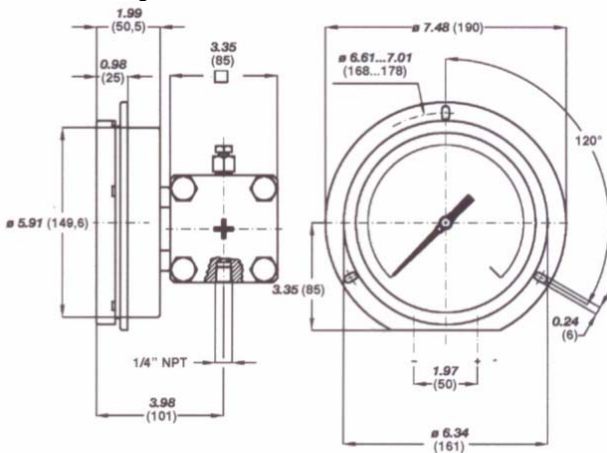
LOWER WITH BACK FLANGE: DS 4", 6" (100-150MM)
Wall mounting



LOWER WITH FRONT FLANGE: DS 4" (100MM)
Wall mounting



LOWER WITH FRONT FLANGE: DS 6" (150MM)
Wall mounting.



DS	a	b	c	D	d1
4.6" (100)	0.51" (13)	1.90" (48.5)	3.90" (99)	4.35" (110.6)	3.97" (101)
5.9 (150)	0.59" (15)	1.96" (50.5)	3.98" (101)	6.33" (161)	5.88" (149.6)

dimensions: inches (mm)

This publication does not try to establish the bases of a contract and the company keeps the right to modify without previous notice the design and the specifications of the instruments, in accordance with his politics of continued development.

MEI Manometría e Instrumentación, s.l.

Pol. Ind. "El Pla" C/ Comerç, 2-22 nave 13 E-08980 Sant Feliu de Llobregat Barcelona Spain
Tf. +34 934 403 939 Fax. +34 934 483 986 www.mei.es e-mail: info@mei.es



DIFFERENTIAL PRESSURE GAUGES PN 200 WITH DOUBLE DIAPHRAGM DN 100-150

OPTIONS

Back flange for DN100-150 instruments	Front flange for DN100 instruments
Front flange for DN150 instruments	Elastic element and connection MONEL (2)
Slifing contacts for DN 150 (amplitude 180°) (1)	Protection degree IP65 (9)
NACE version MR0103 / MR0175 (ISO 15156) (3)	Protection diaphragm Monel 400 (4)
Maximum pointer IP 65 on Plexiglas window. (9)	Case filling with silicone oil. Ambient temp. -40...+149°F (-40...+65°C) (5)
Case glycerine filling. Ambient temp. +59...+149°F (+15...+65°C) (9)	Tropicalization
2" pipe mounting bracket (6)	Safety glass window.
NR. 2 diaphragm seals mounting (7)	Case and ring AISI 316 st.st.
ATEX versions: II 2Gc. II 2GDc (8) (9)	

(1) see data sheet

(2) Accuracy 2.5% as EN837, for ranges <160 IN H2O (400 mbar)

(3) To be ordered with Monel 400 o Hastelloy C diaphragms.

(4) Accuracy 2.5% as EN837, for scales < 160 IN H2O (400 mbar)

(5) Window gasket and blow out vent Viton

(6) Lower mounting with back flange only

(7) Contact technical department

(8) For constructive details see ATEX execution data-sheet

(9) Not available with electric contacts

This publication does not try to establish the bases of a contract and the company keeps the right to modify without previous notice the design and the specifications of the instruments, in accordance with his politics of continued development.

MEI Manometría e Instrumentación, s.l.

Pol. Ind. "El Pla" C/ Comerç, 2-22 nave 13 E-08980 Sant Feliu de Llobregat Barcelona Spain

Tf. +34 934 403 939 Fax. +34 934 483 986 www.mei.es e-mail: info@mei.es