

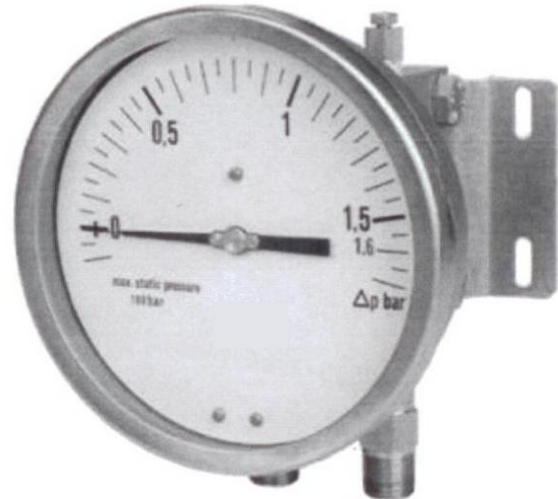
DIFFERENTIAL PRESSURE GAUGES PN 100 WITH DOUBLE DIAPHRAGM DN 100-150

DIFFERENTIAL PRESSURE GAUGES PN 100 WITH DOUBLE DIAPHRAGM DN 100-150

These instruments are used to check filter obstructions, pressure drops, flow rate differences, level, measurements and generally the difference between two pressures of equal or different circuits.

The measuring element is formed by two diaphragms, acting on the same movement.

In this way the pointer senses only the difference between the two pressures corresponding respectively to upstream and downstream circuit pressure.



Accuracy: $\pm 2.5\%$ of the full scale value.

Scale amplitude: 180°.

Static pressure: 1.500 psi max (100 bar).

Ambient temperature: -13...+149°F (-25...+65°C).

Process fluid temperature: +302°F (+150°C).

Protection: IP 55 as per IEC 529.

Process connection: AISI 316 L st. st.

Elastic element: AISI 316 L st. st. double diaphragm.

Gasket: VITON and PTFE.

Case: Stainless steel.

Ring: Stainless steel polished, bayonet lock.

Window: Glass.

Movement: Stainless steel.

Dial: Aluminium, white with black markings.

Pointer: Aluminium, micrometric adjustable.

RANGES

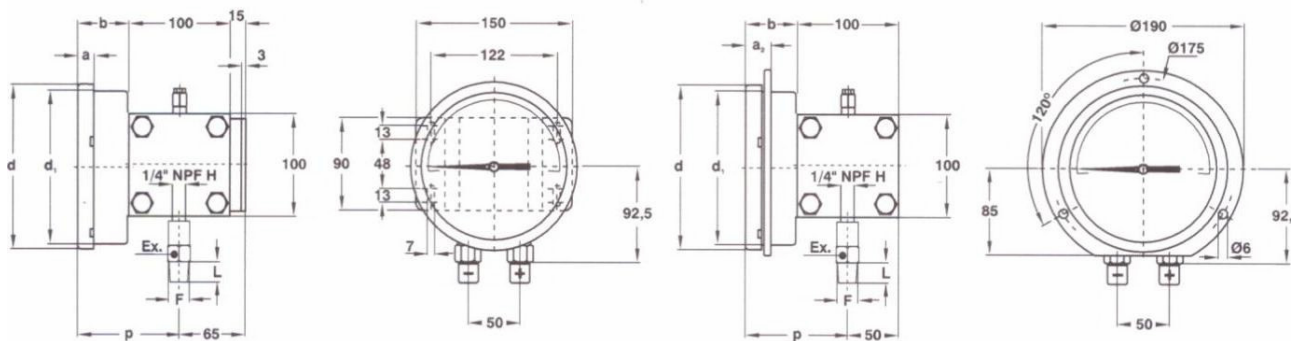
RANGES	Mbar	mmH2O	Bar	kPa
0...0.6			*	
0...1			*	
0...1.6			*	
0...2.5			*	
0...4			*	
0...6			*	
0...10			*	
0...40				*
0...60				*
0...100				*
0...160				*
0...250				*
0...400	*			*
0...600	*			*
0...1000	*			*
0...1600	*			
0...4000				
0...6000				
0...10000				

This publication does not try to establish the bases of a contract and the company keeps the right to modify without previous notice the design and the specifications of the instruments, in accordance with his politics of continued development.

MEI Manometría e Instrumentación, s.l.

Pol. Ind. "El Pla" C/ Comerç, 2-22 nave 13 E-08980 Sant Feliu de Llobregat Barcelona Spain
Tf. +34 934 403 939 Fax. +34 934 483 986 www.mei.es e-mail: info@mei.es

DIFFERENTIAL PRESSURE GAUGES PN 100 WITH DOUBLE DIAPHRAGM DN 100-150



LOWER WITH BACK FLANGE: DN 100-150.
wall mounting

LOWER WITH FRONT FLANGE: DN 150.
panel mounting

Mounting	DN	F	a	b	d	d ₁	p	L	ch	Weight lbs (kg)
Wall	4\"	G 1/2A - 1/2-14 NPT	0.51 (13)	1.91 (48.5)	4.35 (110.5)	3.98 (101)	3.88 (98.5)	0.79 (20)	0.87 (22)	10.71 (4.86)
Wall	6\"	G 1/2A - 1/2-14 NPT	0.59 (15)	1.99 (50.5)	6.34 (161)	5.89 (149.5)	3.96 (100.5)	0.79 (20)	0.87 (22)	11.79 (5.35)
Panel	6\"	G 1/2A - 1/2-14 NPT	1 (25.5)	1.99 (50.5)	6.34 (161)	5.89 (149.5)	3.96 (100.5)	0.79 (20)	0.87 (22)	11.35 (5.15)

OPTIONS

DESCRIPTION	Notes
Inductive and mechanical electric contacts	Codes, descriptions and wiring on data-sheet
AISI 316 st. st. case and ring	
NACE MR 01.75 version	Available for ranges ≥ 1 bar. To be ordered with Monel 400 diaphragm.
Protection IP65	
Maximum pointer IP65	To be ordered with Plexiglas window
MONEL 400 diaphragms	Available only for ranges ≥ 1 bar.
Oxygen service	Filling on internal chamber with Fluorolube
Case glycerine filling. Ambient temperature: +59...+149°F (+15...+65°C)	
Case filling with silicon oil. Ambient temperature: -40...+149°F (-40...+65°C)	Window gasket and blow out vent: VITON
2\" pipe mounting bracket	Only for back flange
Tropicalization	
Safety glass window	

This publication does not try to establish the bases of a contract and the company keeps the right to modify without previous notice the design and the specifications of the instruments, in accordance with his politics of continued development.

MEI Manometría e Instrumentación, s.l.

Pol. Ind. "El Pla" C/ Comerç, 2-22 nave 13 E-08980 Sant Feliu de Llobregat Barcelona Spain
Tf. +34 934 403 939 Fax. +34 934 483 986 www.mei.es e-mail: info@mei.es